



Mini UV Sensor Probe

Model: MP-UVx-P2y

General features:

-
-
-
-
-

Applications:

Specifications:



Maximum ratings

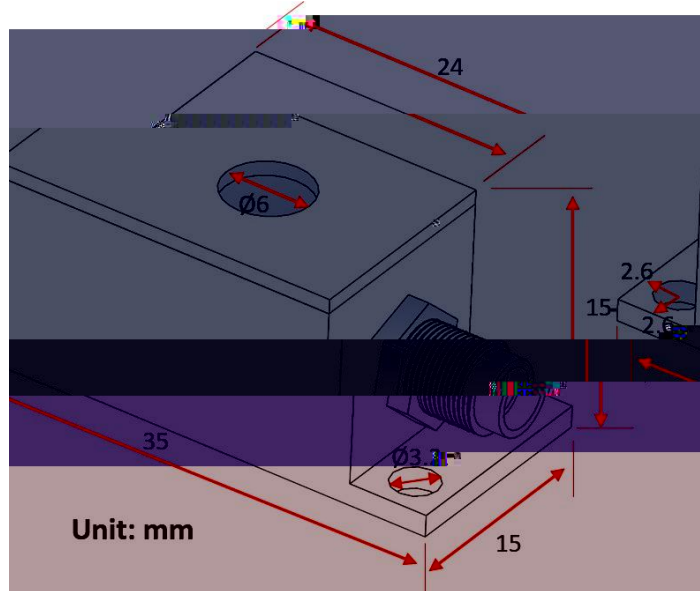
Ep



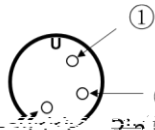
Mini UV Sensor Probe

Model: MP-UVx-P2y

Drawing:



Analog Plug



Connector View

3 pin M5*0.5

Pin ① = power supply

Pin ② = GND

Pin ③ = signal output

Wiring Connections

power supply

signal output

