

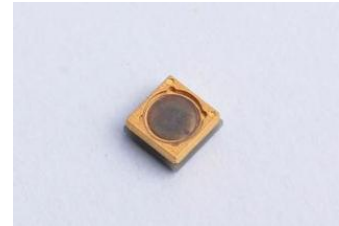


Attenuated UV photodiode

Model: GS-UVV-3535LWD

General Features:

-
-
-
-

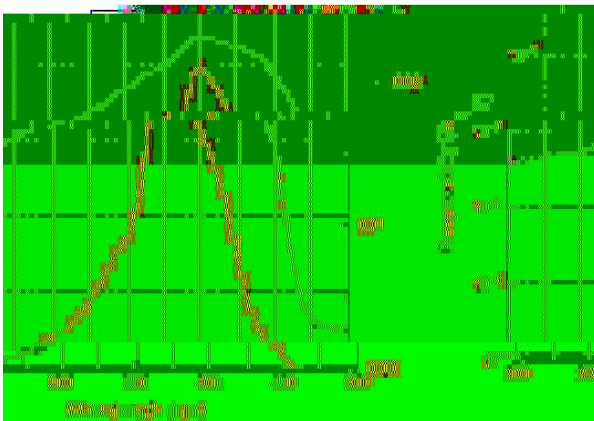


Applications:

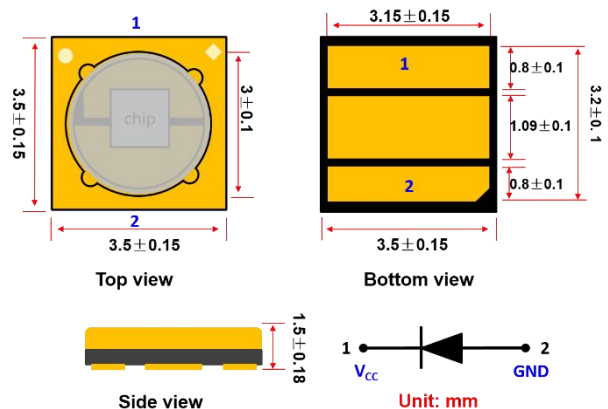
Specifications:

Parameters	Symbol	Value	Unit
Maximum ratings			
General characteristics (25 °C)			
Spectral response characteristics (25 °C)			

Spectral response



Package dimensions

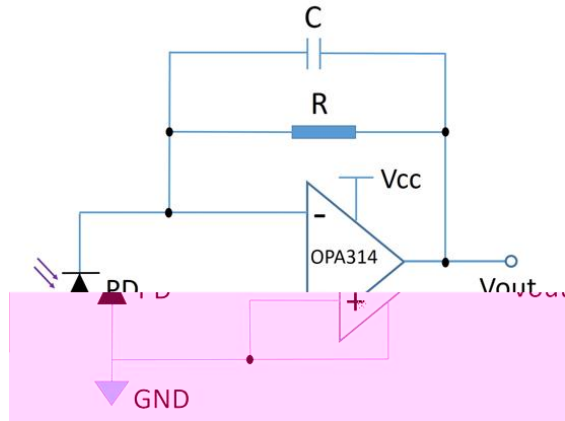




Attenuated UV photodiode

Model: GS-UVV-3535LWD

Application circuit:



$$V_{out} (V) = I_{ph} (A) \times R (\Omega)$$

$$I_{ph} (A) = R_{\lambda} (A/W) \times A (cm^2) \times P (W/cm^2)$$

where A is chip area, Φ is UV power density and R_{λ} is responsivity at specific wavelength.

Evaluation circuit board:

